

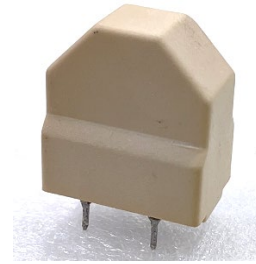
MTC21300 Series (Vertical type)

Features :

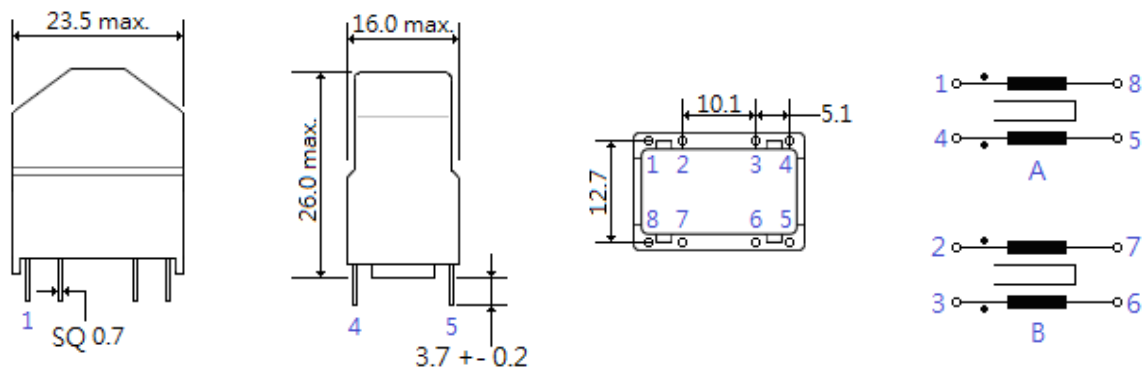
- High safety and reliability.
- Operating temperature range of -25°C to +100°C.
- Excellent frequency characteristic.
- Ferrite core material.
- Compact size, Light weight.

Applications :

- DC-DC converter , Car recharger , Switch-mode power supply
- EMI / EMC Suppressor , TV , Monitor



Shapes And Dimensions : (Unit :mm)



Standard electrical specifications :

Part Number Vertical type	Inductance (L) Per winding	RDC (mΩ) Per winding (typ.)	Rated Current (max.) (A)	Hi-Pot : W1 to W2 (V)
MTC21301	1.2mH	56	3.0	1500
MTC21302	2.2mH	100	2.0	1500
MTC21302-01	2.7mH	120	2.0	1500
MTC21303	3.3mH	120	2.5	1500
MTC21303-01	3.3mH	72	2.5	1500
MTC21304	4.7mH	155	2.0	1500
MTC21305	6.8mH	260	1.5	1500
MTC21306	10mH	450	1.0	1500
MTC21307	10mH	400	1.2	1500
MTC21308	15mH	540	1.0	1500
MTC21308-01	15mH	360	0.8	1500
MTC21309	18mH	480	0.6	1500
MTC21309-01	18mH	440	0.7	1500
MTC21310	18mH	400	0.8	1500
MTC21311-01	27mH	500	0.8	1500
MTC21311	27mH	900	0.5	1500
MTC21312-01	39mH	880	0.5	1500
MTC21312	39mH	1100	0.5	1500
MTC21313	47mH	1200	0.5	1500
MTC21314	47mH	1400	0.3	1500

- Rated Inductance : measured at 25°C and F @ 10KHz 50mV
- Tolerance: + 50 - 30%
- DC resistance: at 25°C
- Testing voltage 1500V,50Hz ,2 sec,(winding - winding)
- Over temperature of winding < 55°C
- Operating temperature range - 40°C ~ +100°C

Customer's specifications are available

